

# BONE CRUSHER™

## FOOD WASTE DISPOSER

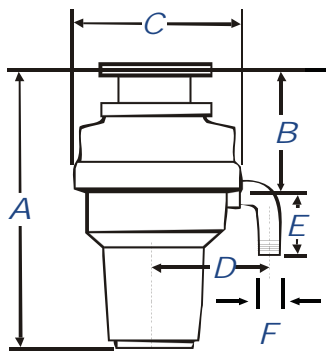


Batch Feed

Measurements in inches

	Economy	Standard	Mid-Duty	Heavy Duty	Deluxe	Premium
<b>A</b>	13.9	13.9	14.6	14.9	16	17.3
<b>B</b>	6.3	6.3	7	7.3	7.3	7.3
<b>C</b>	5.2	5.2	7.2	8.7	8.7	8.7
<b>D*</b>	5.4/5.5	5.4/5.5	5.4/5.5	5.5/5.7	5.5/5.7	5.5/5.7
<b>E*</b>	2.7 / 3.9	2.7/3.9	2.7/3.9	2.7/3.9	2.7/3.9	2.7/3.9
<b>F</b>	1.5	1.5	1.5	1.5	1.5	1.5

\* White Elbow/Black Elbow



Batch Feed units add approx. 2.3"/58mm to the "A" and "B" dimension.

Measurements in millimeters

	Economy	Standard	Mid-Duty	Heavy Duty	Deluxe	Premium
<b>A</b>	354	354	372	378	404	439
<b>B</b>	161	161	179	185	185	185
<b>C</b>	132	132	182	220	220	220
<b>D*</b>	137/140	137/140	137/140	140/144	140/144	140/144
<b>E*</b>	70/100	70/100	70/100	70/100	70/100	70/100
<b>F</b>	38	38	38	38	38	38

\* White Elbow/Black Elbow

(International Market- Outside of USA & Canada)  
**Anaheim Marketing International**  
 4332 E. La Palma Avenue  
 Anaheim, California 92807  
 Telephone: 714.993.1707 Fax: 714.993.1930  
 Website: [www.AnaheimMarketing.com](http://www.AnaheimMarketing.com)  
 Email: [ContactUs@AnaheimMarketing.com](mailto:ContactUs@AnaheimMarketing.com)

(USA & Canada)  
**Joneca Corporation**  
 4332 E. La Palma Avenue  
 Anaheim, California 92807  
 Telephone: 714.993.5997 Fax: 714.993.2126  
 Website: [www.Joneca.com](http://www.Joneca.com)  
 Email: [ContactUs@Joneca.com](mailto:ContactUs@Joneca.com)

**FOOD WASTE DISPOSERS SHIPPING WEIGHTS & DIMENSIONS and CONTAINER INFORMATION**

MODEL	110V/220V <u>NON CE VERSION</u>				100V/220V with EMC form RFI <u>CB/CE VERSION</u>	
	Individual 1 *Unit/Box		Master Carton 4 Units/Box		Individual 1 *Unit/Box lbs / kg	Master Carton 4 Units/Box lbs / kg
Packaging L x W x H Weight	inches / lbs	mm / kg	inches/ lbs	mm / kg		
<b>1/2 HP Economy</b>	8 x 8 x 16 10 lbs	203 x 203 x 406 4.5 kg	14 1/2 x 14 1/2 x 16 3/4 39 lbs	368 x 368 x 426 18 kg	9.5 lbs/4.3 kg	40 lbs/18 kg
<b>1/2 HP Standard</b>	8 x 8 x 16 11 lbs	203 x 203 x 406 4.9 kg	14 1/2 x 14 1/2 x 16 3/4 40 lbs	368 x 368 x 426 18 kg	9.6 lbs/4.4 kg	41 lbs/18.6 kg
<b>1/2 HP Mid-Duty</b>	9 x 9 x 18 12 lbs	228 x 228 x 457 5.4 kg	18 1/2 x 18 1/2 x 18 44 lbs	470 x 470 x 457 20 kg	10.5 lbs/4.8 kg	46 lbs/20.7 kg
<b>1/2 HP Heavy Duty</b>	11 x 11 x 18 13 lbs	279 x 279 x 457 5.8 kg	20 1/2 x 20 1/2 x 18 49 lbs	521 x 521 x 457 22.2 kg	11.5 lbs/5.2 kg	50 lbs/22.7 kg
<b>3/4 HP Deluxe</b>	11 x 11 x 20 14 lbs	279 x 279 x 508 6.3 kg	20 1/2 x 20 1/2 x 19 55 lbs	521 x 521 x 483 25 kg	13 lbs/5.9 kg	56 lbs/25.4 kg
<b>1 1/4 HP Premium</b>	11 x 11 x 20 15 lbs	279 x 279 x 508 6.8 kg	20 1/2 x 20 1/2 x 19 66 lbs	521 x 521 x 483 29.9 kg	14 lbs/6.15 kg	67 lbs/26.4 kg

The Weights and Dimensions have been rounded off to the nearest increment.  
 \*Individual disposers are shipped in shelf carton within individual shipping cartons for protection.

Number of Disposers That Can Fit into a Container	Units per Pallet	20 Foot		40 Foot	
		Not Palletized	Palletized (10 pallets)	Not Palletized	Palletized (20 pallets)
Economy	180 Units	1920 Units	1800 Units	3840 Units	3600 Units
Standard	180 Units	1920 Units	1800 Units	3840 Units	3600 Units
Mid Duty	64 Units	1200 Units	640 Units	2400 Units	1280 Units
Heavy Duty	64 Units	880 Units	640 Units	1760 Units	1280 Units
Deluxe	64 Units	704 Units	640 Units	1408 Units	1280 Units
Premium	64 Units	704 Units	640 Units	1408 Units	1280 Units